

The logo for OSANTS, featuring the letters 'O', 'S', 'A', 'N', 'T', 'S' in a bold, sans-serif font. The 'O' is white with a blue outline, while the other letters are solid blue. The background of the entire page is a composite image: the top half shows a red riding mower in a field at sunset, and the bottom half shows a blue-toned landscape with a tractor and a barn.

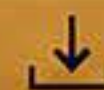
OSANTS

MOWER INDUSTRY SOLUTIONS

2026 CATALOG

Precision Engineered Components
& Complete Mower Solutions

From precision-engineered components to fully integrated mower solutions, we deliver durable, efficient, and innovative systems built to meet the demands of the mower industry.



[Download Catalog](#)

OSANTS

ENGINEERED PARTS. RELIABLE PERFORMANCE.

CUSTOM FABRICATED STEEL COMPONENTS

Precision-engineered steel parts built for demanding mower applications.

Built for Strength, Durability & High-Volume Production.



CUTTING COMPONENTS



- ✓ Blades
- ✓ Mulching kits
- ✓ Tiller blades
- ✓ Blade accessories



STRUCTURAL ASSEMBLIES



- ✓ Decks
- ✓ Frames
- ✓ Fender systems
- ✓ Baffles
- ✓ Reinforcement brackets



OPERATOR COMPONENTS



- ✓ Handles
- ✓ Hoods
- ✓ Covers
- ✓ Mounting systems



WHEEL SYSTEMS



- ✓ Wheels
- ✓ Hub caps
- ✓ Wheel covers
- ✓ Tire assemblies

MANUFACTURING CAPABILITIES



CNC LASER CUTTING

High-precision cutting for complex parts and tight tolerances.



ROBOTIC WELDING

Consistent, strong welds for maximum durability.



TUBE BENDING

Custom bends for frames, handles, and structural parts.



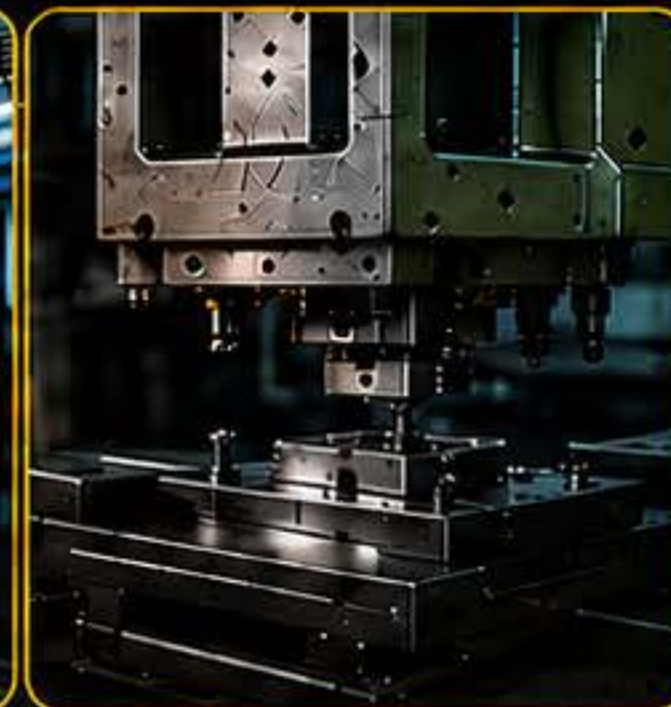
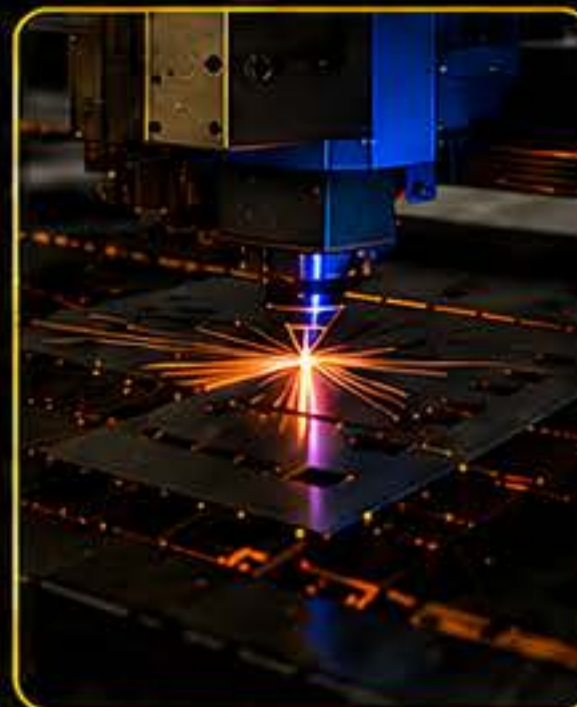
POWDER COATING

Corrosion-resistant finishes with superior appearance.



STAMPING & FORMING

High-volume production with repeatable precision.



OSANTS

ENGINEERED PARTS. RELIABLE PERFORMANCE.

PRECISION MECHANICAL COMPONENTS

High-quality components engineered for durability, efficiency, and long-term performance in today's demanding **mower applications**.



BEARINGS & BUSHINGS



- ✓ Precision bearings
- ✓ Sleeve bushings
- ✓ Flange bushings



BELT DRIVE SYSTEMS



- ✓ Drive belts
- ✓ Deck belts
- ✓ Idler pulleys
- ✓ Tension systems



SPINDLE ASSEMBLIES



- ✓ Spindles
- ✓ Housings
- ✓ Shaft components
- ✓ Bearings and seals



PTO & POWER TRANSFER

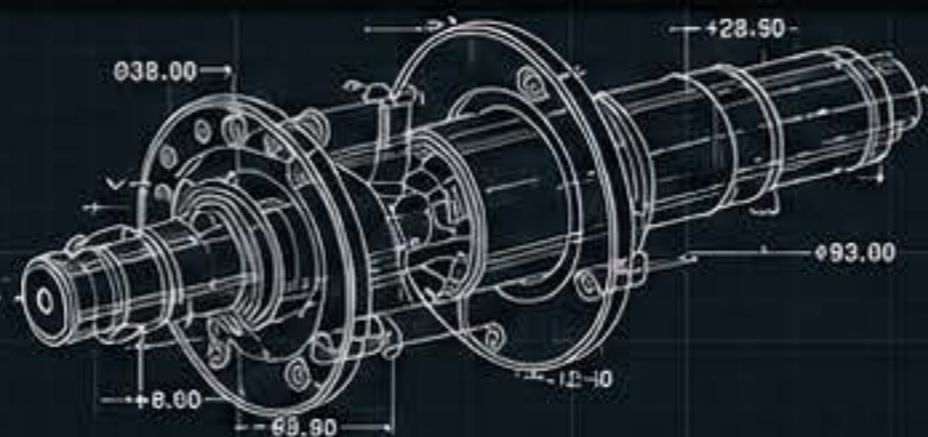


- ✓ Electric PTO clutches
- ✓ Pulleys
- ✓ Couplings
- ✓ Gear drive systems

HIGH-RESOLUTION COMPONENT CLOSEUPS



CAD DRAWINGS



ASSEMBLY DIAGRAMS



MOWER DRIVETRAIN VISUALS



LONG LIFE DURABILITY

Built to withstand tough conditions and extend equipment life.



OEM FITMENT

Engineered to meet OEM specifications for perfect fit.



CORROSION PROTECTION

Premium coatings and materials resist rust and corrosion for long-term reliability.



TIGHT TOLERANCE MANUFACTURING

Precision manufacturing ensures consistent quality and performance.

OSANTS

ENGINEERED PARTS. RELIABLE PERFORMANCE.

CUSTOM ELECTRICAL & CONTROL SYSTEMS

Engineered electrical solutions built for **performance**, **reliability**, and long-term **durability** in demanding mower applications.



ELECTRICAL SYSTEMS



- ✓ Wiring harnesses
- ✓ Solenoids
- ✓ Switch assemblies
- ✓ Electrical connectors



LIGHTING SYSTEMS



- ✓ Headlights
- ✓ LED systems
- ✓ Safety lighting
- ✓ Indicator lamps



CONTROL COMPONENTS



- ✓ Throttle cables
- ✓ Control cables
- ✓ Linkage systems
- ✓ Lever assemblies



POWERED SYSTEMS



- ✓ Electric PTO clutches
- ✓ Electric actuators
- ✓ Motor assemblies

WIRING HARNESS MANUFACTURING



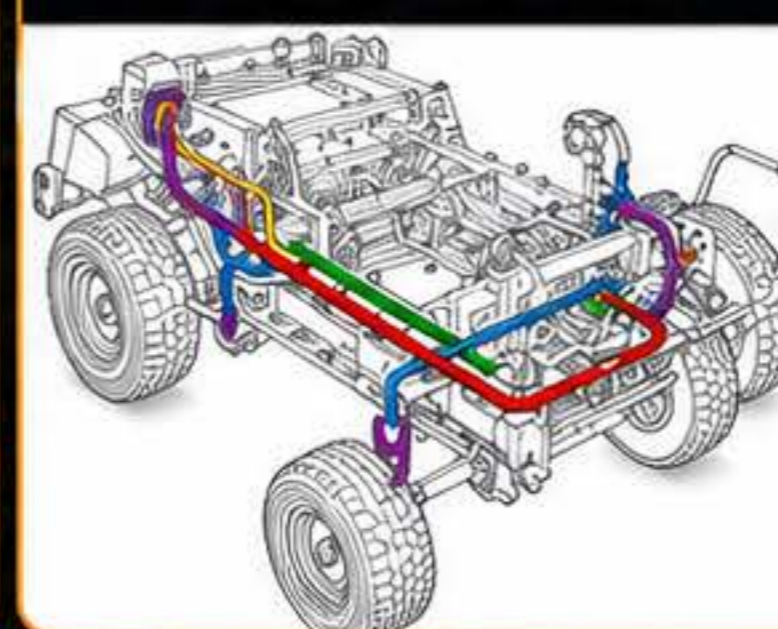
ELECTRICAL TESTING



ASSEMBLY TECHNICIANS



HARNESS ROUTING DIAGRAMS



QUALITY FEATURES

- ✓ Continuity testing
- ✓ Load testing
- ✓ Environmental durability validation
- ✓ OEM specification compliance



OSANTS

ENGINEERED PARTS. RELIABLE PERFORMANCE.

CUSTOM ENGINEERING OF PRECISE MOWER COMPONENTS, ASSEMBLIES AND GLOBAL SOURCING SOLUTIONS

OSANTS is your trusted partner for high-quality mower components and assemblies. We work with qualified global suppliers to deliver products that ensure performance, durability, efficiency, and on-time delivery for every application.



CUSTOM MANUFACTURING SOLUTIONS

- ✓ Precision Mechanical Components
- ✓ Steel Fabrications
- ✓ Electrical & Control Systems
- ✓ Custom Assemblies
- ✓ Prototypes to Production
- ✓ High-Volume Manufacturing



ENGINEERING SOLUTIONS

- ✓ CAD Design & Review
- ✓ Prototype Development
- ✓ Value Engineering
- ✓ Material Selection
- ✓ Performance Testing
- ✓ DFM Optimization



GLOBAL SUPPLY CHAIN MANAGEMENT

- ✓ Overseas Manufacturing
- ✓ Supplier Qualification
- ✓ Production Oversight
- ✓ Logistics Coordination
- ✓ Packaging Programs
- ✓ Delivery Management



QUALITY ASSURANCE SOLUTIONS

- ✓ Incoming Inspection
- ✓ In-Process Verification
- ✓ Final Inspection
- ✓ Testing & Certification
- ✓ Documentation & Traceability
- ✓ Continuous Improvement



DEDICATED SOLUTIONS

- ✓ Project Management
- ✓ Technical Assistance
- ✓ On-Time Delivery
- ✓ After-Sales Solutions
- ✓ Long-Term Partnerships



STEEL FABRICATIONS & STRUCTURAL PARTS



ELECTRICAL COMPONENTS & ASSEMBLIES

STANDARDS & CERTIFICATIONS CERTIFIED SUPPLIER PER IATF 16949 / ISO 9001



ISO 9001



Industry-Specific Standards



Customer-Required Certifications



IATF 16949



RoHS



CE



OSANTS ADVANTAGES

- ✓ Complete mower component solutions
- ✓ Precision engineering & tight tolerances
- ✓ Enhanced performance & reliability
- ✓ Corrosion-resistant materials & finishes
- ✓ Easy installation & maintenance
- ✓ Reliable global supply chain partnerships



BUILT FOR PERFORMANCE & DURABILITY



DOWNLOAD PDF CATALOGS
AT [OSANTS.COM](https://osants.com)



projects@osants.com



(418) 845-8388



[OSANTS.COM](https://osants.com)



EXPERTS IN MOWER COMPONENTS & GLOBAL SOLUTIONS