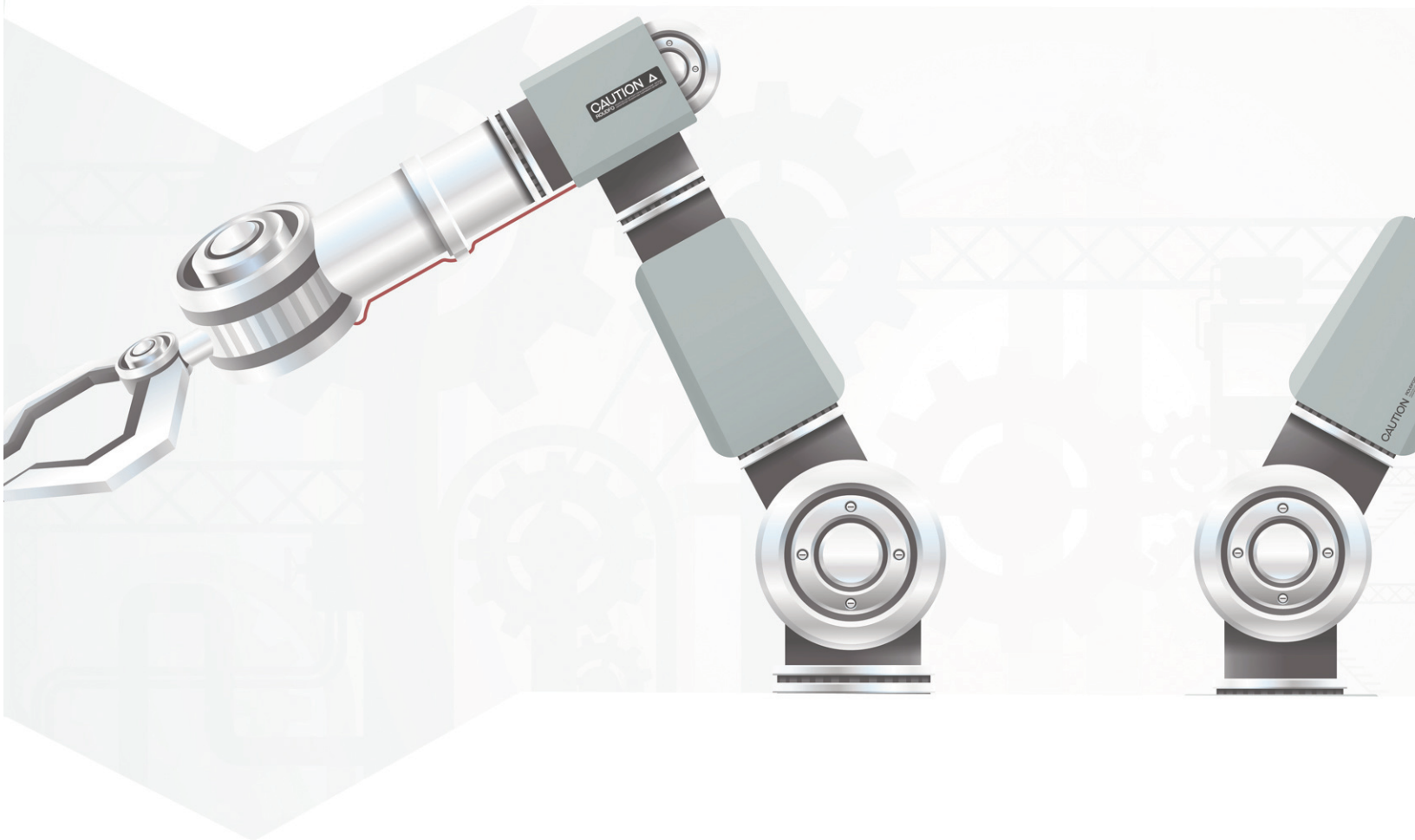




OVERSEAS SOURCING PARTNER
ASIA - VIETNAM - INDIA

ROBOTICS

OEM Parts
and Components Manufacturing



CUSTOM PARTS
MADE ACCORDING TO YOUR DRAWINGS

MANUFACTURING
SUPERVISED THROUGHOUT THE PROCESS

INSPECTION BEFORE
DELIVERY

ADVANTAGES

- OSANTS as the Importer of Record (IOR)
- On-site engineering team
- Competitive pricing
- Safety stock program
- Complete logistics service from factory to your door
- Warehousing solutions



List of parts we can provide

STRUCTURE / CHASSIS

Mechanical parts that make up the robot's body

- Chassis (metal, aluminum, plastic)
- Mounting plates
- Arms, gears, pulleys
- Wheels, tracks, or legs

ACTUATORS (motors)

- Servo motors (precise angle control)
- DC motors (mobile robots)
- Stepper motors (very precise movements)
- Linear actuators (electric or pneumatic)

CONTROLLER

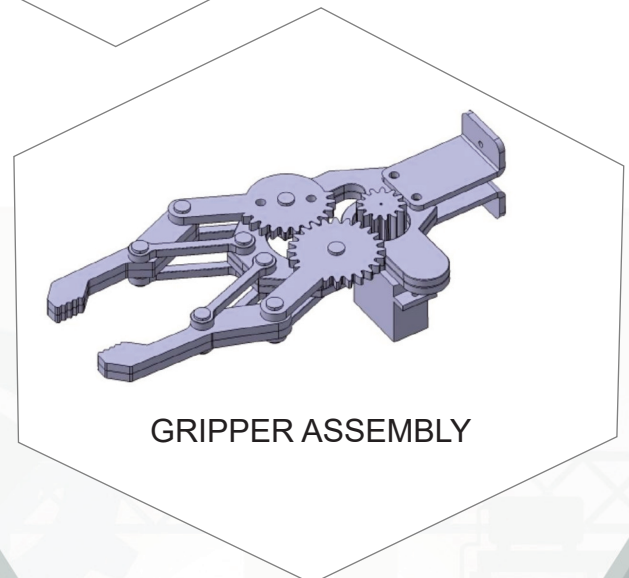
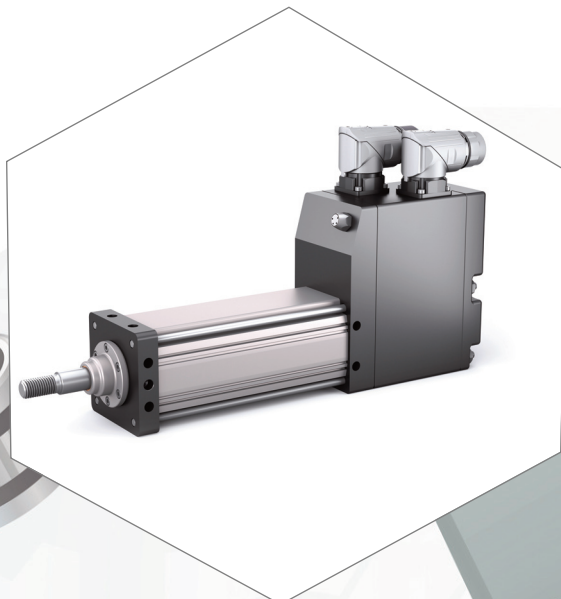
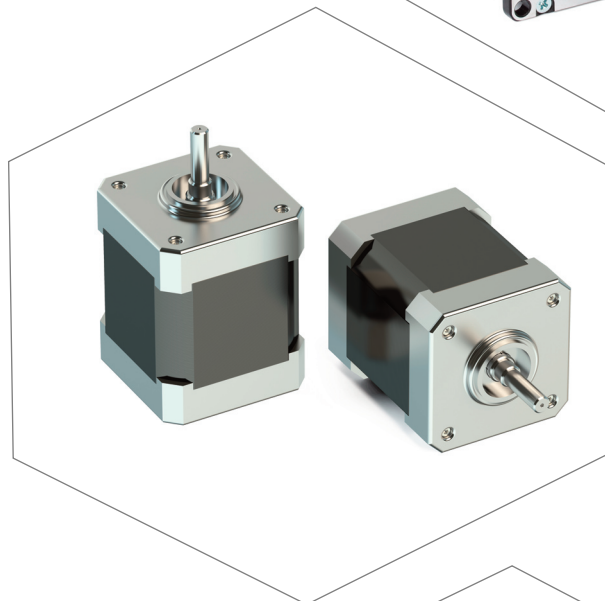
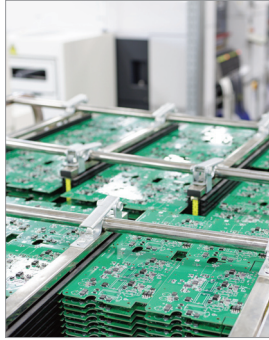
SENSORS

POWER SUPPLY

- Batteries
- Rechargeable NiMH batteries
- Voltage regulators (5V, 12V)

ELECTRONICS & WIRING

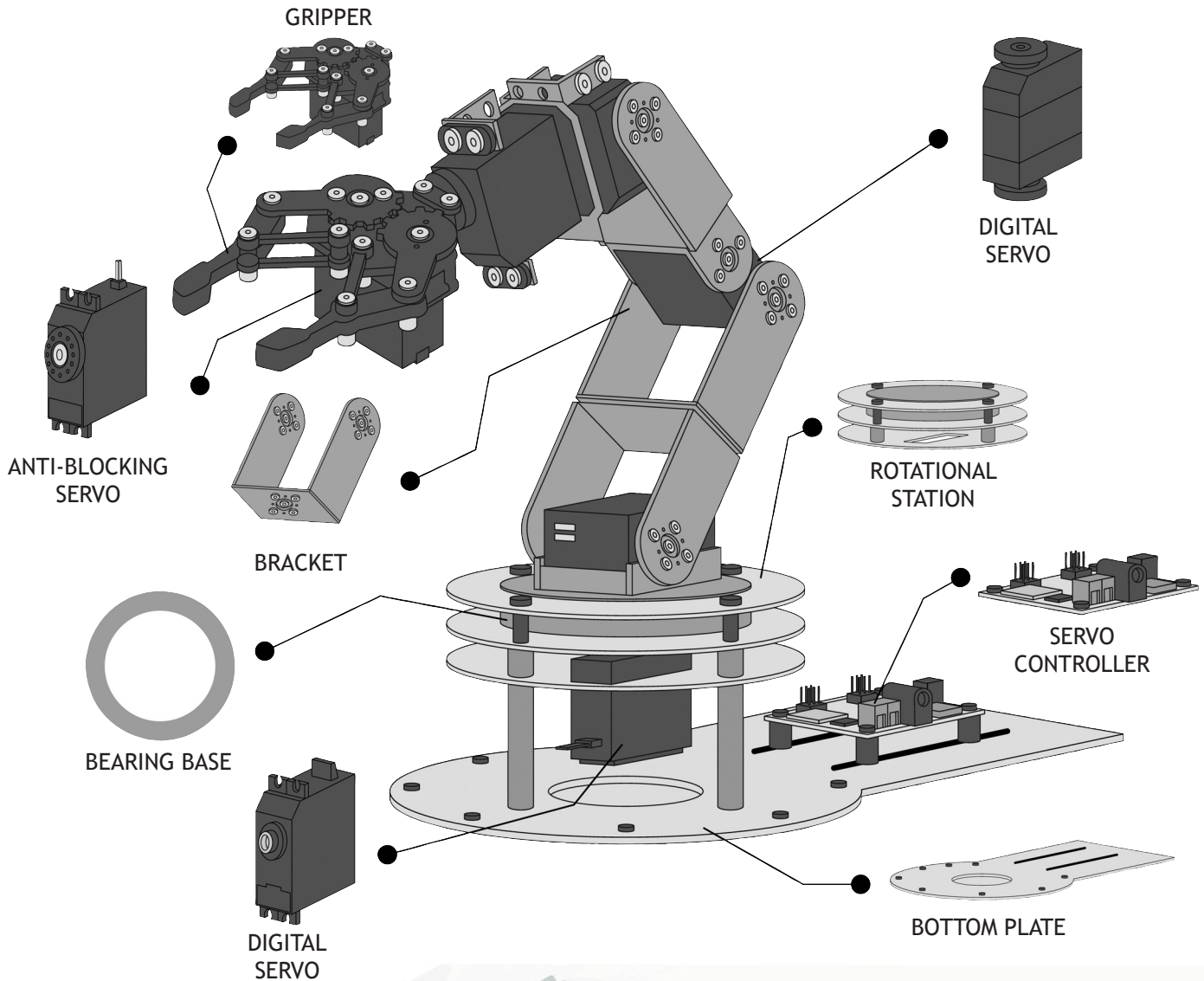
- PCB
- Wires
- Level shifters
- Motor drivers



GRIPPER ASSEMBLY

OSANTS CAN PROVIDE COMPONENTS OR PRE-ASSEMBLED UNITS

- | | | | |
|--------------------|----------------|-----------------|----------------------|
| - Mounting plate | - Motor head | - Base plate | - Gripper components |
| - Shaft | - Base gear | - Upper arm | - Gripper assembly |
| - Cylinder | - Upper plate | - Wrist support | - Grip base |
| - Support Cylinder | - Metal spacer | | - Grip gear |



All our suppliers are audited, and we select them based on the specifications and certifications required by our clients.

Our specialized engineers closely monitor each stage of manufacturing and inspection.

ADDITIONAL PARTS PRODUCED IN COMPLIANCE WITH INDUSTRY STANDARDS



ALUMINUM PART



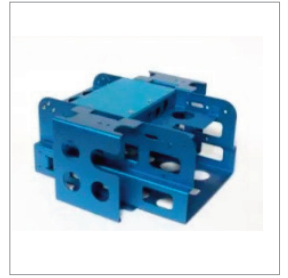
ALUMINUM PART



ALUMINUM PART



ARM PART



BRACKET



CNC-PART



CNC PART



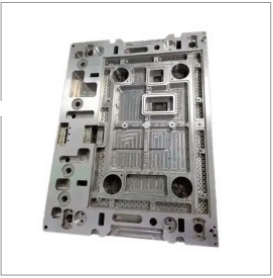
FIXTURE



MEDICAL PART



MEDICAL PART



CUSTOM PART



CUSTOM PART



SHAFT



STAINLESS STEEL PART



STAINLESS STEEL PART



TITANIUM PART



MEDICAL PART



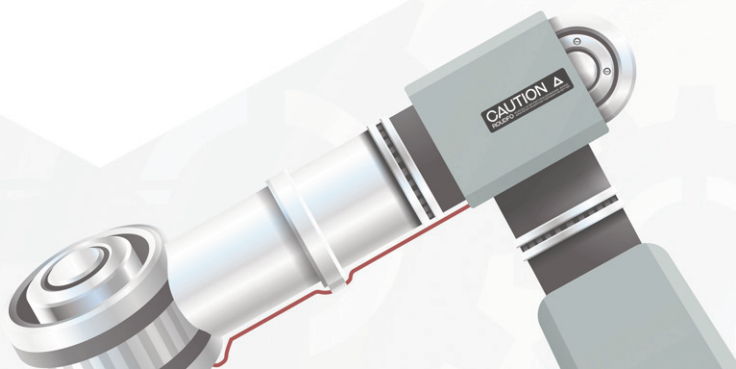
MEDICAL PART



MEDICAL PART



MEDICAL PART



All our suppliers are audited, and we select them based on the specifications and certifications required by our clients.

Our specialized engineers closely monitor each stage of manufacturing and inspection.